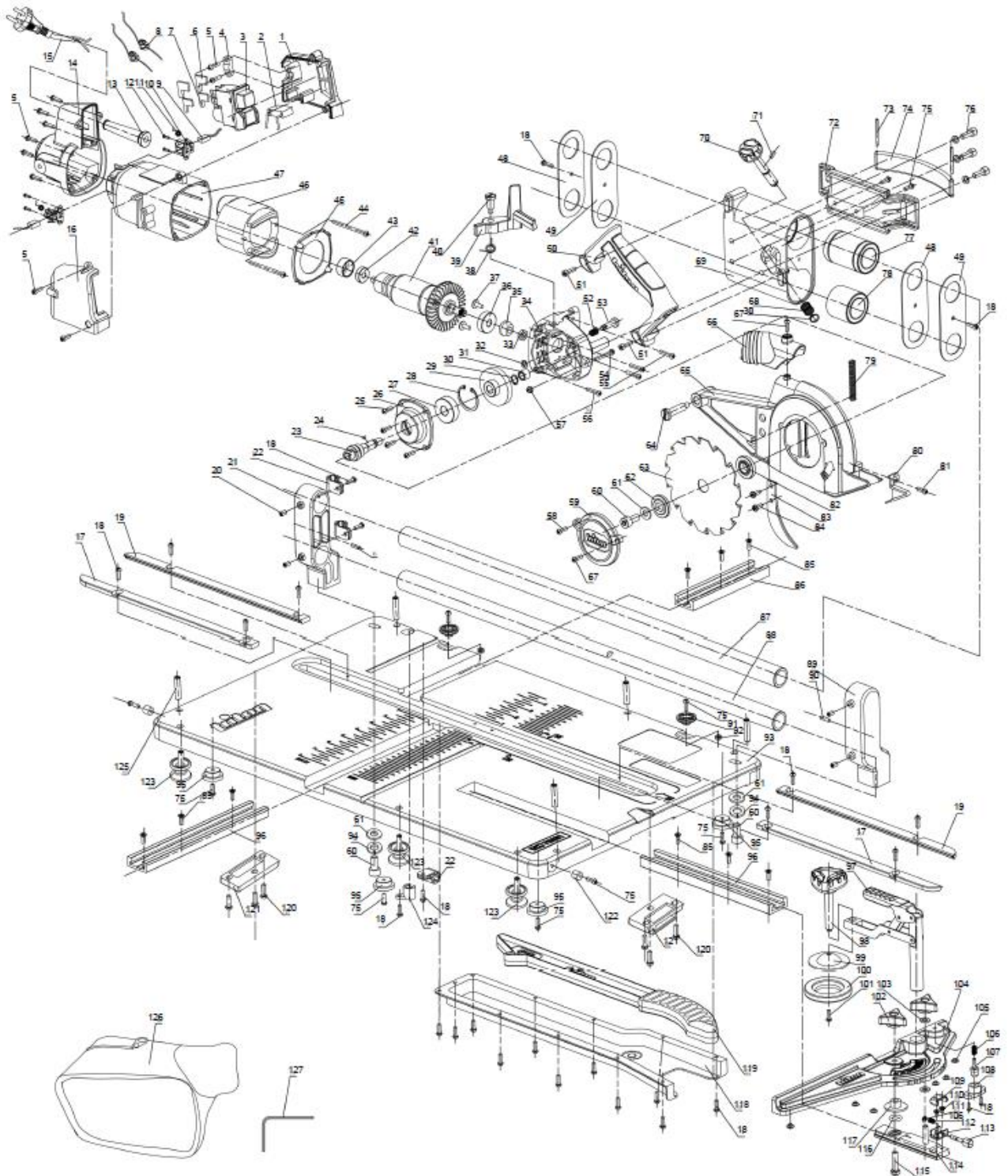




TWX7PS001 – PROJECT SAW MODULE 240V



No.	Description
1	SWITCH COVER (LEFT)
2	CAPACITOR
3	SWITCH
4	CORD CLAMP
5	SCREW
6	COVER
7	COVER TERMINAL
8	INDUCTANCE
9	CARBON BRUSH
10	CARBON BRUSH HOLDER
11	SPRING
12	SCREW
13	CABLE PROTECTOR
14	MOTOR COVER
15	POWER CORD
16	SWITCH COVER (RIGHT)
17	BLADE PROTECTOR GUIDE I
18	SCREW
19	BLADE PROTECTOR GUIDE II
20	SCREW
21	BRACKET I
22	CABLE HOLDER
23	OUTPUT SHAFT
24	KEY
25	SCREW
26	GEAR BOX COVER
27	BEARING
28	C RING
29	BIG GEAR
30	C RING
31	BUSH
32	C RING
33	LOCKNUT

34	GEAR BOX
35	PINION
36	BEARING
37	SCREW
38	SPRING
39	GUARD RELEASE BUTTON
40	SCREW
41	ARMATURE
42	BEARING
43	BEARING COVER
44	SCREW
45	BUFFER
46	STATOR
47	MOTOR HOUSING
48	DUSTPROOF COVER
49	DUSTPROOF PLATE
50	AUXILIARY HANDLE
51	SCREW
52	SPRING
53	SPINDLE LOCK BUTTON
54	SCREW
55	SCREW
56	SCREW
57	NUT
58	SCREW
59	BLADE COVER
60	SCREW
61	WASHER
62	UPPER FLANGE
63	BLADE
64	SCREW
65	BLADE GUARD
66	DUST COLLECTOR ADAPTOR
67	SCREW
68	SPRING
69	MOVING BRACKET



TWX7PS001 – PROJECT SAW MODULE 240V

70	MACHINE LOCK PIN
71	SCREW
72	SUPPORT
73	PIN
74	HAND
75	SCREW
76	SCREW
77	LINEAR BEARING
78	LINEAR BEARING
79	SCREW
80	BLADE ALIGNEMENT BLOCK
81	SCREW
82	LOWER FLANGE
83	RIVET KNIFE
84	SCREW
85	SCREW
86	SLOT PART I
87	SLIDING POLE I
88	SLIDING POLE II
89	BRACKET II
90	RUBBER PIN
91	ADJUSTMENT CAM
92	NUT
93	WORKING TABLE
94	SPRING WASHER
95	SUPPORT
96	SLOT PART II
97	QUICK CLAMP
98	BUTTON
99	PRESS BLOCK
100	RUBBER BLOCK
101	SCREW
102	BUTTON

103	WASHER
104	FENCE
105	FENCE SUPPORT
106	SPRING
107	LOCK PIN
108	LOCK PIN BUSH
109	LOCK PIN COVER
110	SCREW
111	C RING
112	LOCK BLOCK HOLDER
113	LOCK PIN
114	LOCK BLOCK
115	SCREW
116	O RING
117	BUSH
118	STORAGE BOX FOR PUSH ROD
119	PUSH ROD
120	SCREW
121	LOCK MACHINE BLOCK
122	ROLLER
123	ROLLER SET
124	CABLE HOLDER
125	SCREW
126	DUST BAG
127	WRENCH