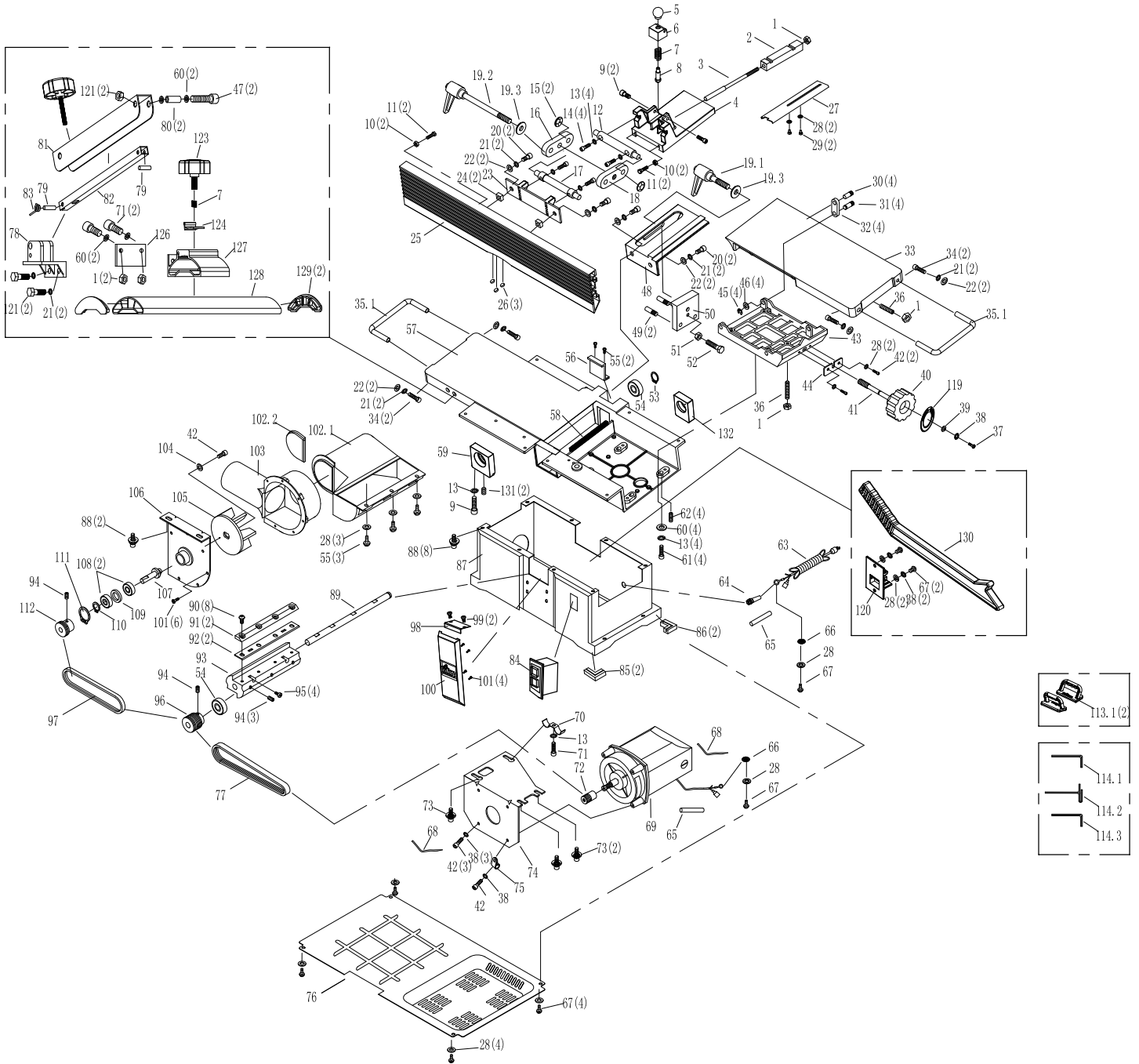


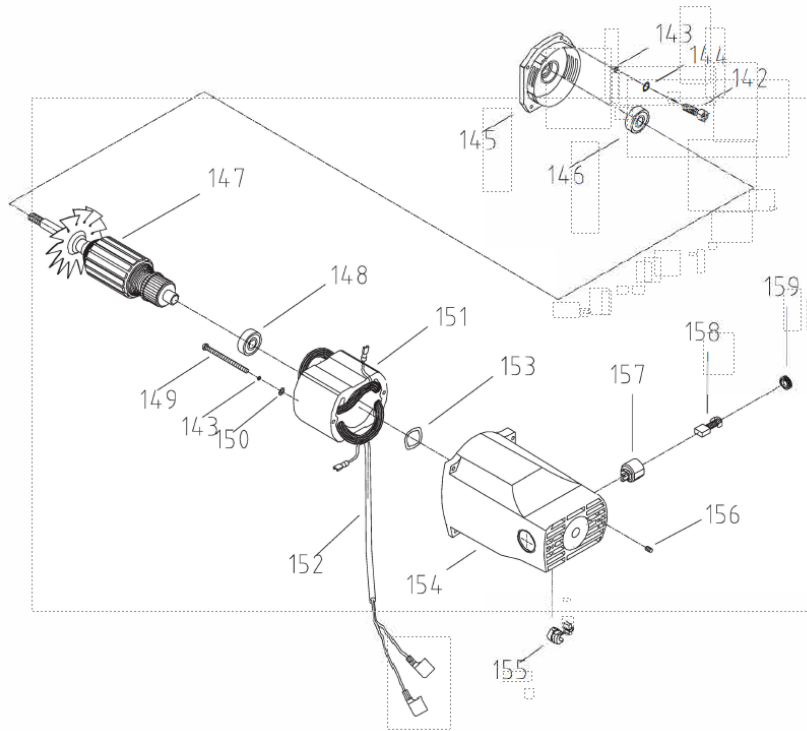


TSPL152 SURFACE PLANER





TSPL152 SURFACE PLANER





TSPL152 SURFACE PLANER

ITEM	PART NUMBER	DESCRIPTION	QTY
1	N/A	HEX NUT	8
2	N/A	SLIDING BLOCK	1
3	N/A	SHAFT	2
4	N/A	FENCE BRACKET	1
5	274926	HANDLE	3
6	N/A	LOCATED BLOCK	1
7	N/A	SPRING	15
8	N/A	LOCATED SHAFT	2
9	N/A	SOCKET HEAD BOLT M6X12	4
10	N/A	HEX NUT M5	4
11	N/A	HEX HEAD BOLT M5X20	4
12	N/A	BRACKET SHAFT	1
13	N/A	LOCK WASHER	4
14	N/A	SOCKET HEAD BOLT M6X26	1
15	N/A	PUSH NUT	2
16	301873	LINK LEFT UNTHREADED	1
17	N/A	PLATE SHAFT	7
18	154396	LINK RIGHT THREADED	1
19	163423	HANDLE ASSY	1
19.1	N/A	SLIDING BAR	1
19.2	N/A	SOCKET HEAD BOLT	7
19.3	N/A	TABLE FRAME	1
22	N/A	FLAT WASHER	8
23	N/A	FENCE PLATE	1
24	N/A	SQUARE NUT	2
25	N/A	FENCE	1
26	N/A	MAGNET	3
27	N/A	BLADE GUARD COVER	1
28	N/A	FLAT WASHER	15
29	N/A	FIXED BOLT	2
30	N/A	TABLE PIN	4
31	N/A	FRAME PIN	4
32	N/A	BRACKET	4
33	N/A	INFEED TABLE	1
34	N/A	SOCKET HEAD BOLT	4
35	N/A	HANDLE ASSY	1

36	N/A	SET SCREW	2
37	N/A	PAN HEAD SCREW	1
38	N/A	LOCK WASHER	7
39	N/A	WASHER	1
40	N/A	HANDLE	1
41	N/A	SLIDING BAR	1
42	N/A	SOCKET HEAD BOLT	7
43	N/A	TABLE FRAME	1
44	N/A	SUPPORT PLATE	1
45	N/A	E RING	4
46	N/A	WASHER	4
47	N/A	SOCKET HEAD BOLT	2
48	N/A	FENCE SUPPORT	1
49	N/A	PIN	2
50	N/A	LOCKING PLATE	1
51	N/A	HEX NUT	1
52	N/A	HEX HEAD BOLT	1
53	N/A	RETAINING RING	1
54	138793	BALL BEARING CUTTERHEAD	2
55	N/A	PAN HEAD SCREW	5
56	N/A	BARRIER	1
57	N/A	TABLE	1
58	N/A	SPONGE BLOCK	1
59	N/A	BEARING BASE	1
60	N/A	FLAT WASHER	10
61	N/A	SOCKET HEAD BOLT	4
62	N/A	SET SCREW	4
63	N/A	POWER CORD	1
64	N/A	FIXED HEAD	1
65	N/A	WAX TUBE	1
66	N/A	SERRATED WASHER	2
67	N/A	PAN HEAD SCREW	8
68	N/A	NYLON TIE	2
69	N/A	MOTOR 240V	1
69	N/A	MOTOR 120V	1
70	N/A	CORD CLAMP	1
71	N/A	SOCKET HEAD BOLT	3
72	N/A	MOTOR PULLEY	1
73	N/A	SOCKET HEAD BOLT	3
74	N/A	MOTOR MOUNTING PLATE	1
75	N/A	CABLE CLASP	1
76	N/A	COVER	1

77	217372	DRIVE BELT MOTOR	1
78	N/A	SUPPORT BASE	1
79	N/A	PIN	2
80	N/A	SPACER	2
81	N/A	BRACKET PLATE	1
82	N/A	BRACKET	1
83	N/A	TORSION SPRING	1
84	N/A	SWITCH 240V	1
84	N/A	SWITCH 120V	1
85	450200	RUBBER FEET LEFT	2
86	447784	RUBBER FEET RIGHT	2
87	N/A	BASE	1
88	N/A	SOCKET HEAD BOLT	10
89	N/A	SHAFT	1
90	991562	BLADE SCREW	8
91	743741	BLADE CLAMP	2
92	687833	BLADE EACH	2
93	660332	CUTTERHEAD	1
94	N/A	SCREW	5
95	N/A	JACK SCREW	4
96	N/A	DRIVE PULLEY	1
97	575929	DRIVE BELT FAN	1
98	N/A	PULLEY COVER	1
99	N/A	PAN HEAD SCREW	2
100	N/A	LOGO COVER	1
101	N/A	THREAD FORMING SCREW	10
102	N/A	CHIP COLLECTOR	1
103	N/A	CHIP EXHAUST	1
104	N/A	WASHER	1
105	N/A	IMPELLER	1
106	N/A	CHIP BLOWER MOUNTING PLATE	1
107	N/A	FAN SHAFT	1
108	647949	BALL BEARING FAN	2
109	N/A	SPACER	1
110	N/A	RETAINING RING	1
111	N/A	EXTERNAL RETAINING RING	1
112	N/A	FAN PULLEY	1
113	467256	PUSH BLOCK	1
114	N/A	WRENCH ASSY	1
114.1	N/A	HEX WRENCH 5MM	1
114.2	N/A	T-WRENCH 4MM	1
114.3	N/A	HEX WRENCH 6MM	1

119	N/A	DROP INDICATION LABEL	1
120	879584	SUPPORT SEAT	1
121	N/A	LOCK NUT M6	2
122	N/A	LOCK SCREW	2
123	610487	LOCKING HANDLE	1
124	N/A	ELASTIC STRIP	1
125	669392	ROTATING HANDLE	1
126	N/A	SUPPORT BASE	1
127	N/A	SHIELD SUPPORT	1
128	833951	BRIDGE TYPE GUARD	1
129	N/A	SIDE PLUG	2
130	N/A	PUSH STICK	1
142	N/A	SCREW	4
143	N/A	SPRING WASHER	6
144	N/A	FLAT WASHER	4
145	N/A	END COVER	1
146	953199	ARMATURE BEARING FRONT	1
147	956925	ARMATURE 240V	1
147	N/A	ARMATURE 120V	1
148	953038	ARMATURE BEARING REAR	1
149	N/A	SCREW	2
150	N/A	SERRATED WASHER	2
151	959064	FIELD 240V	1
151	N/A	FIELD 120V	1
152	N/A	CABLE	1
153	N/A	GASKET	1
154	N/A	MOTOR HOUSING	1
155	N/A	STRAIN RELIEF BRUSH	1
156	N/A	SCREW	2
157	N/A	CARBON BRUSH SEAT	2
158	960651	CARBON BRUSH (PAIR)	1
159	962813	CARBON BRUSH CAP	2