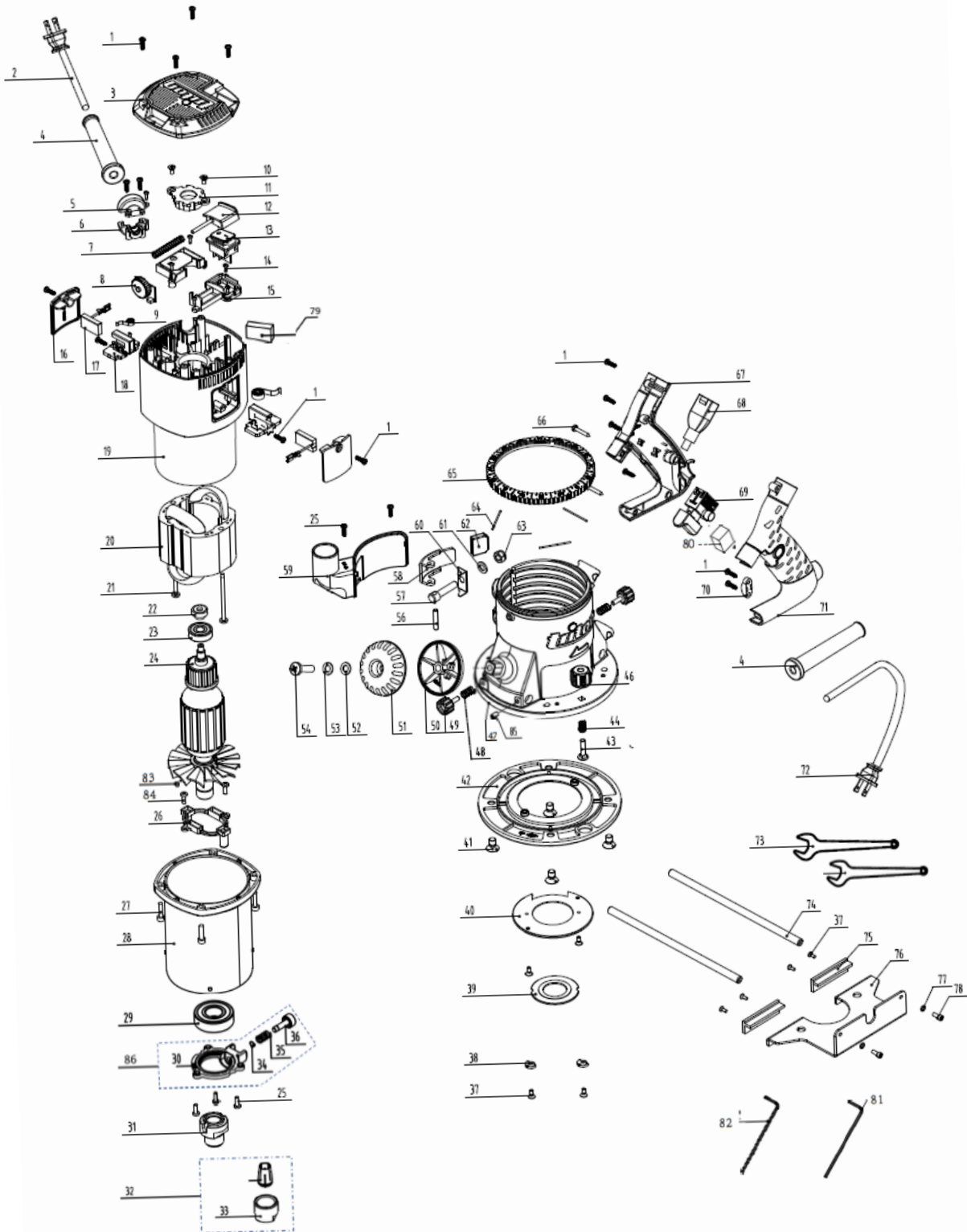




TFBR001 FIXED BASED ROUTER





TFBR001 FIXED BASED ROUTER

| ITEM | PART NUMBER | DESCRIPTION | QTY |
|------|-------------|---------------------------|-----|
| 1 | 941514 | SCREW ST4.2x14 | 12 |
| 2 | 250882 | POWER CORD AND PLUG 120V | 1 |
| 3 | 430329 | END CAP | 1 |
| 4 | 570584 | CABLE SHEATH | 2 |
| 5 | 466965 | CABLE SHEATH CAP | 1 |
| 6 | 504961 | CABLE SHEATH BASE | 1 |
| 7 | 376499 | SWITCH LOCK SPRING | 1 |
| 8 | 801545 | SPEED CONTROLLER 120V | 1 |
| 9 | 432928 | CARBON BRUSH SPRING | 2 |
| 10 | 714625 | BEARING RETAINER SCREW | 2 |
| 11 | 524163 | BEARING RETAINER UPPER | 1 |
| 12 | 668010 | SWITCH COVER | 1 |
| 13 | N/A | SWITCH 240V | 1 |
| 13 | 956459 | SWITCH 120V | 1 |
| 14 | 986422 | SWITCH BASE SCREW | 1 |
| 15 | 352463 | SWITCH BASE | 1 |
| 16 | 347509 | CARBON BRUSH CAP | 2 |
| 17 | 881861 | CARBON BRUSH PAIR | 1 |
| 18 | 340629 | CARBON BRUSH HOLDER | 2 |
| 19 | 642231 | MOTOR HOUSING UPPER | 1 |
| 20 | 195853 | FIELD STATOR 120V | 1 |
| 20 | N/A | FIELD STATOR 240V | 1 |
| 21 | 438703 | FIELD STATOR SCREW | 2 |
| 22 | 743669 | MAGNET RING | 1 |
| 23 | 956298 | ARMATURE UPPER BEARING | 1 |
| 24 | N/A | ARMATURE 240V | 1 |
| 24 | 207491 | ARMATURE 120V | 1 |
| 25 | 848648 | LIGHT MODULE SCREW | 3 |
| 26 | 264993 | LIGHT MODULE | 1 |
| 27 | 221470 | MOTOR HOUSING LOWER SCREW | 4 |
| 28 | 924460 | MOTOR HOUSING LOWER | 1 |
| 29 | 893305 | ARMATURE LOWER BEARING | 1 |
| 30 | 526475 | BEARING RETAINER LOWER | 1 |
| 31 | 597658 | CHUCK BODY | 1 |
| 32 | 761243 | COLLET 1/4" | 1 |

| | | | |
|----|--------|-------------------------------|---|
| 32 | 721116 | COLLET 1/2" | 1 |
| 32 | 520575 | COLLET 6MM | 1 |
| 32 | 576353 | COLLET 8MM | 1 |
| 32 | 704520 | COLLET 12MM | 1 |
| 33 | N/A | COLLET NUT | 1 |
| 34 | 231854 | SPINDLE LOCK RETAINING CLIP | 1 |
| 35 | 761250 | SPINDLE LOCK RETAINING SPRING | 1 |
| 36 | 753578 | SPINDLE LOCK RETAINING PIN | 1 |
| 37 | 681666 | RETAINING BUSH SCREW | 6 |
| 38 | 959336 | RETAINING WASHER | 2 |
| 39 | 116660 | GUIDE BUSH RING | 1 |
| 40 | 560339 | ADAPTOR RING | 1 |
| 41 | 242801 | BASE PLATE SCREW | 4 |
| 42 | 356342 | BASE PLATE | 1 |
| 43 | 703536 | FENCE ATTACHMENT KNOB SCREW | 2 |
| 44 | 970568 | FENCE ATTACHMENT KNOB SPRING | 2 |
| 46 | 995994 | FENCE ATTACHMENT KNOB | 2 |
| 47 | 493761 | BASE | 1 |
| 48 | 857077 | GUIDE BAR KNOB SPRING | 2 |
| 49 | 955505 | GUIDE BAR KNOB | 2 |
| 50 | 348938 | HANDLE BASE | 1 |
| 51 | 874742 | HANDLE CAP | 1 |
| 52 | 933280 | HANDLE CAP WASHER | 1 |
| 53 | 577558 | HANDLE CAP SPRING WASHER | 1 |
| 54 | 845575 | HANDLE CAP SCREW | 1 |
| 56 | 951242 | LOCKING LEVER PIVIT | 1 |
| 57 | 724509 | POCKING LEVER PIN | 1 |
| 58 | 306469 | LOCKING LEVER | 1 |
| 59 | 373379 | DUST SHIELD OUTLET | 1 |
| 60 | 660113 | LOCKING LEVER BASE | 1 |
| 61 | 854823 | LOCKING LEVER WASHER | 1 |
| 62 | 931613 | LOCKING LEVER SOFT HANDLE | 1 |
| 63 | 447773 | LOCKING LEVER NUT | 1 |
| 64 | 922327 | RETAINING PIN | 2 |
| 65 | 669261 | GRADUATED RING | 1 |
| 66 | 347191 | SELF TAPPING SCREW ST4.2x25 | 1 |
| 67 | 368005 | HANDLE RIGHT | 1 |
| 68 | 394440 | ELECTRICAL SOCKET | 1 |
| 69 | 244444 | HANDLE SWITCH 120V | 1 |
| 70 | 160922 | CABLE CLAMP | 1 |
| 71 | 667061 | HANDLE LEFT | 1 |

| | | | |
|----|--------|---|---|
| 72 | 247685 | POWER CORD AND PLUG 120V | 1 |
| 73 | 654869 | WRENCH 24MM | 1 |
| 74 | 635163 | GUIDE BAR | 2 |
| 75 | 874180 | FENCE FACE | 2 |
| 76 | 225124 | FENCE | 1 |
| 77 | 394707 | FENCE WASHER | 2 |
| 78 | 426370 | FENCE SCREW | 2 |
| 79 | N/A | CAPACITOR EU/JP | 1 |
| 80 | N/A | POWER OFF PROTECTOR EU/JP | 1 |
| 81 | N/A | HEX KEY 4MM | 1 |
| 82 | N/A | HEX KEY 3MM | 1 |
| 83 | N/A | MAGNET | 2 |
| 84 | N/A | SCREW M4X12 | 2 |
| 85 | N/A | SCREW M6X8 | 2 |
| 86 | 890182 | BEARING RETAINER LOWER ASSEMBLY 30/34/35/36 | 1 |