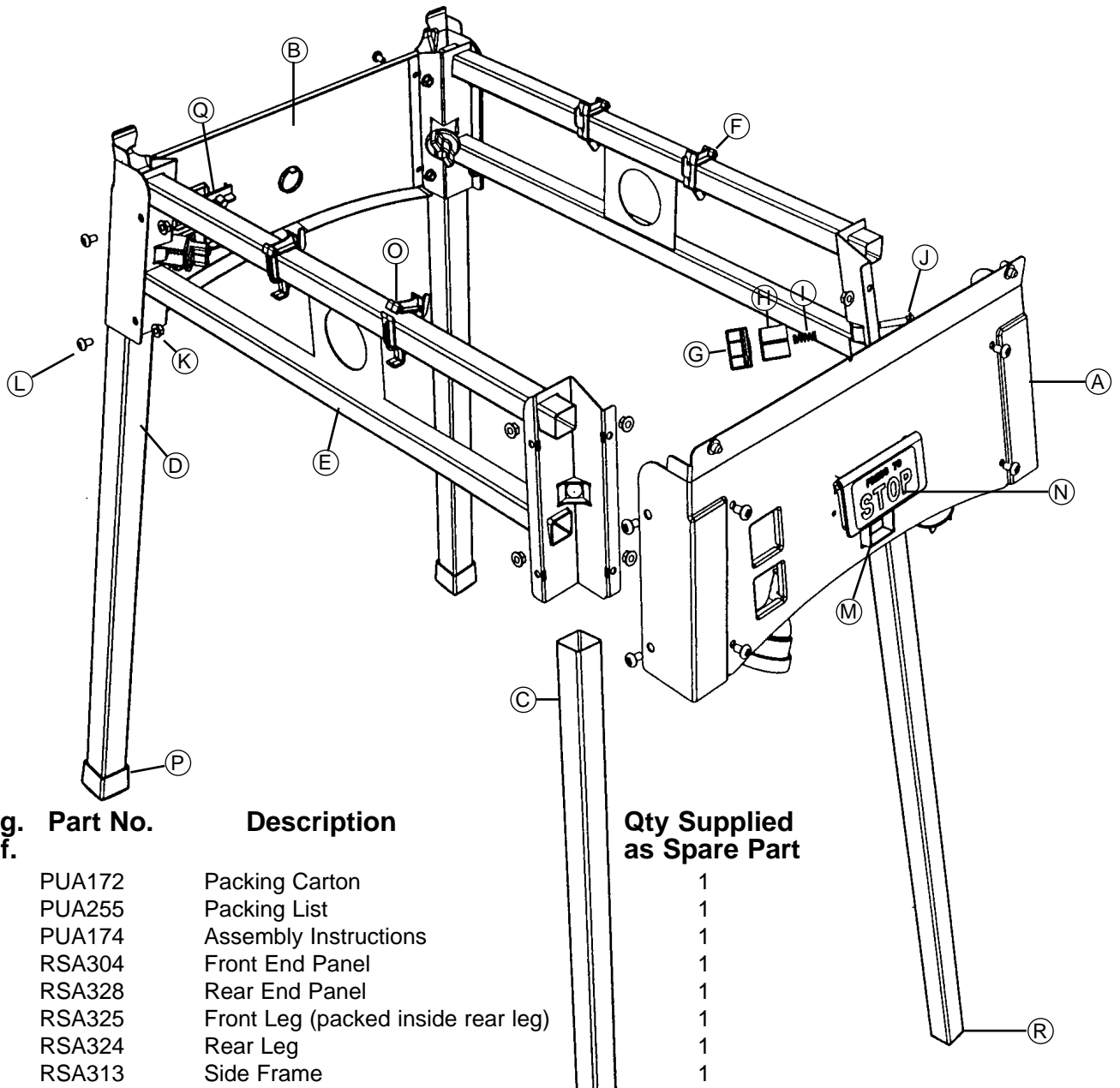


Router Stand - RSA300

Superceded RSA200 - October 2000. Suits Triton Router Tables with red slide catches.



Diag. Ref.	Part No.	Description	Qty Supplied as Spare Part
-	PUA172	Packing Carton	1
-	PUA255	Packing List	1
-	PUA174	Assembly Instructions	1
A	RSA304	Front End Panel	1
B	RSA328	Rear End Panel	1
C	RSA325	Front Leg (packed inside rear leg)	1
D	RSA324	Rear Leg	1
E	RSA313	Side Frame	1
F	RSA327	Hanger Finger	1
G	CMA040	Round Knob	1
H	LRA208	Leg Clamp	1
I	LRA261	Leg Clamp Spring	1
M	CMA050	Switch Box	1
N	CMA048	Stop Plate	1
O	LRA326	Fence Hangers	1
P	LRA258	35 x 35 Rubber Foot	1
Q	RSA316	Leg Locks	1
R	RSA317	30 x 30 Tube Closure	1

FASTENERS NOT SUPPLIED SEPARATELY

J	-	M6 x 35 Coach Bolt	4	} Available in Fastener Bag
K	-	M6 Flange Nuts	16	
L	-	M6 x 10 Philips Head Screw	16	

Specifications:

Packed weight: 1

Pack Size: 1170 x 280 x 110

Volume: .036m³

Paint: Epoxy powder coat (oven cured) Colour: Telecom Gold / Charcoal Grey