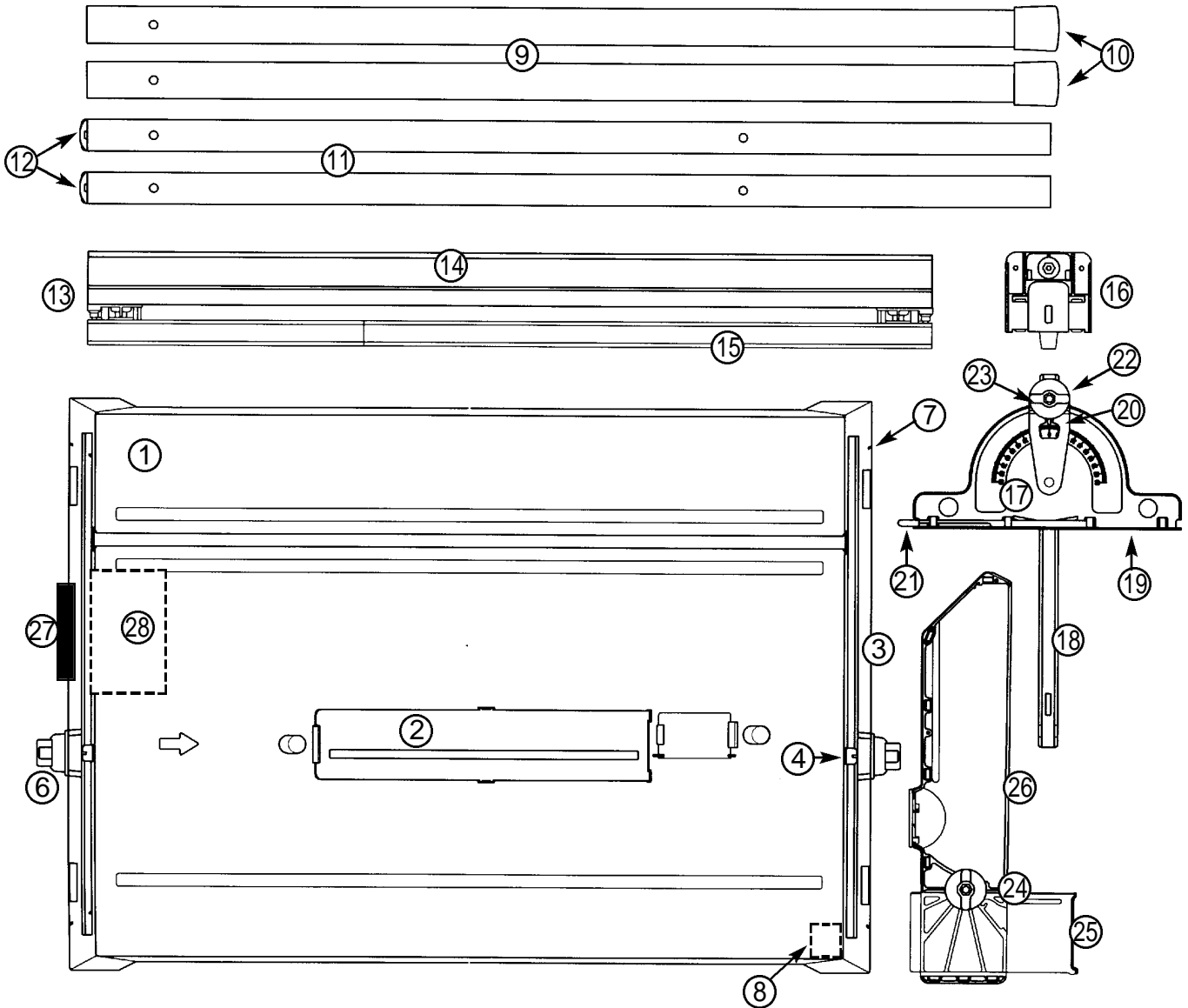
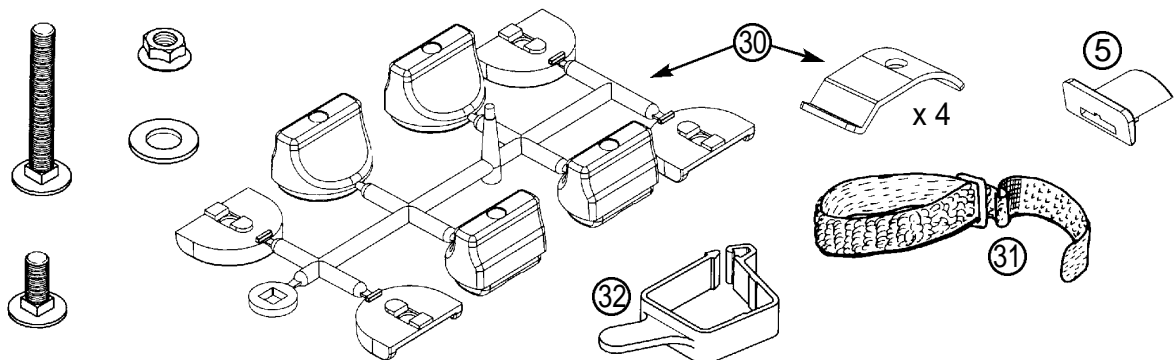


# Compact Saw Table - TCA100

Introduced October 1998



## FASTENER BAG



# Compact Saw Table - TCA100

Introduced October 1998

Diag. Ref.	Part No.	Description	Qty Supplied as Spare Part	Comments
-	PUA360	Packing Carton	1	
-	PUA355	Instruction Manual	1	
1	LRA204	Main body	1	
2	LRA239	Saw slot insert	1	
3	LRA218	Fence track	1	
4	LRA269	Fence scale pointer	1	
5	LRA266	Fence lens	1	
6	TCA105	Fence clamp / handle assembly	1	
7	LRA244	Leg locking tab	1	4mm screw not included
8	TCA106	Leg clamp assembly	1	
9	LRA257	Leg - rear	1	
10	LRA258	Rubber foot - rear legs	1	
11	LRA228	Leg - front	1	
12	LRA210	Plastic foot - front legs	1	
13	TCA104	Rip fence (complete)	1	
14	LRA226	Rip fence (extrusions only)	1	
15	LRA223	Rip fence arm	1	
16	LRA255	Captive push-stick	1	
17	LRA232	Protractor (complete)	1	Includes side pressure finger
18	LRA233	Protractor slider strip	1	
19	LRA238	Protractor sandpaper facing	1	
20	LRA262	Protractor lens	1	
21	LRA247	Protractor side pressure finger	1	
22	CPA115	Protractor T-bolt	1	M6 x 30mm
23	CMA040	Round knob with 6mm nut	1	
24	LRA254	Overhead guard complete	1	Includes LRA217
25	LRA217	Overhead guard support	1	
26	WCA333	Guard only	1	Includes bolt and knob
27	CMA048	Stop plate	1	
	CMA062	Stop Plate pin	1	
28	CMA050	Switchbox (240v / 16Amp)	1	
30	TCA103	Saw clamp set	1	Includes temporary clamps
31	AGA001	Trigger strap	1	
32	LRA256	Storage hanger	1	
33	LRA253	Fastener bag (complete)	1	

## Specifications:

**Packed weight:** 19.41kg

**Paint:** Epoxy powder coat (oven cured)

**Sheet Metal Parts:** 1.60mm Mild Steel

**Pack Size:** 955 x 550 x 167mm

**Volume:** 0.088m<sup>3</sup>

**Main Body:** Telecom Gold / Charcoal Grey

**Legs:** Galvanised Square Tube; Front - 30mm; Rear - 35mm