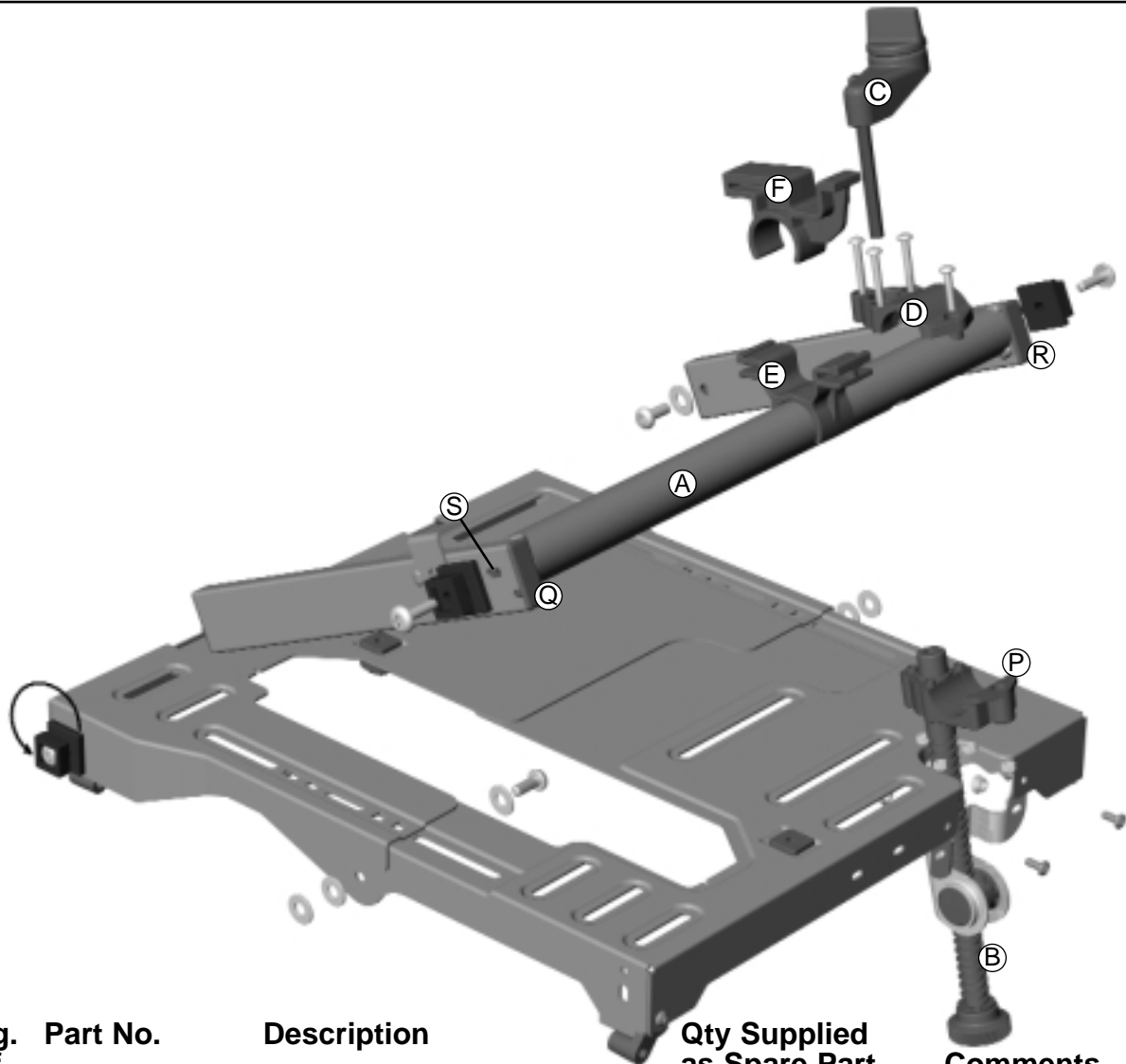


Height Winder Kit - WCA390

Suits pressed-steel Workcentre saw slide chassis



Diag. Ref.	Part No.	Description	Qty Supplied as Spare Part	Comments
	PUA451	Packing carton	1	
	PUA450	Instruction sheet	1	
A	WCA434	U-frame	1	
B	WCA445	Winder assembly	1	
C	WCA426	Winder handle	1	
D	WCA419	Top saddle	1	
E	WCA438	Chassis hook - Series 2000	1	
F	WCA437	Chassis hook - MK3	1	
P	WCA420	Bottom saddle	1	
Q	WCA440	Bearing carrier (left)	1	
R	WCA441	Bearing carrier (right)	1	
S	WCA442	Pivot nut carrier	2	
	WCA391	Fastener bag	1	
		M4 x 30mm Philips-head screw	}	Available in Fastener Bag
		M4 x 25mm Philips-head screw		
		M4 Nyloc nut		
		$\frac{3}{16}$ " x $\frac{7}{8}$ " Philips-head screw		
		Washer		
		M6 x 16mm Philips-head screw		

Specifications:

Packed weight: 1.3kg

Packed Size: 395 x 240 x 45mm

Volume: 0.0365m³

Paint: Epoxy powder coat (oven cured) **Colour:** Silver