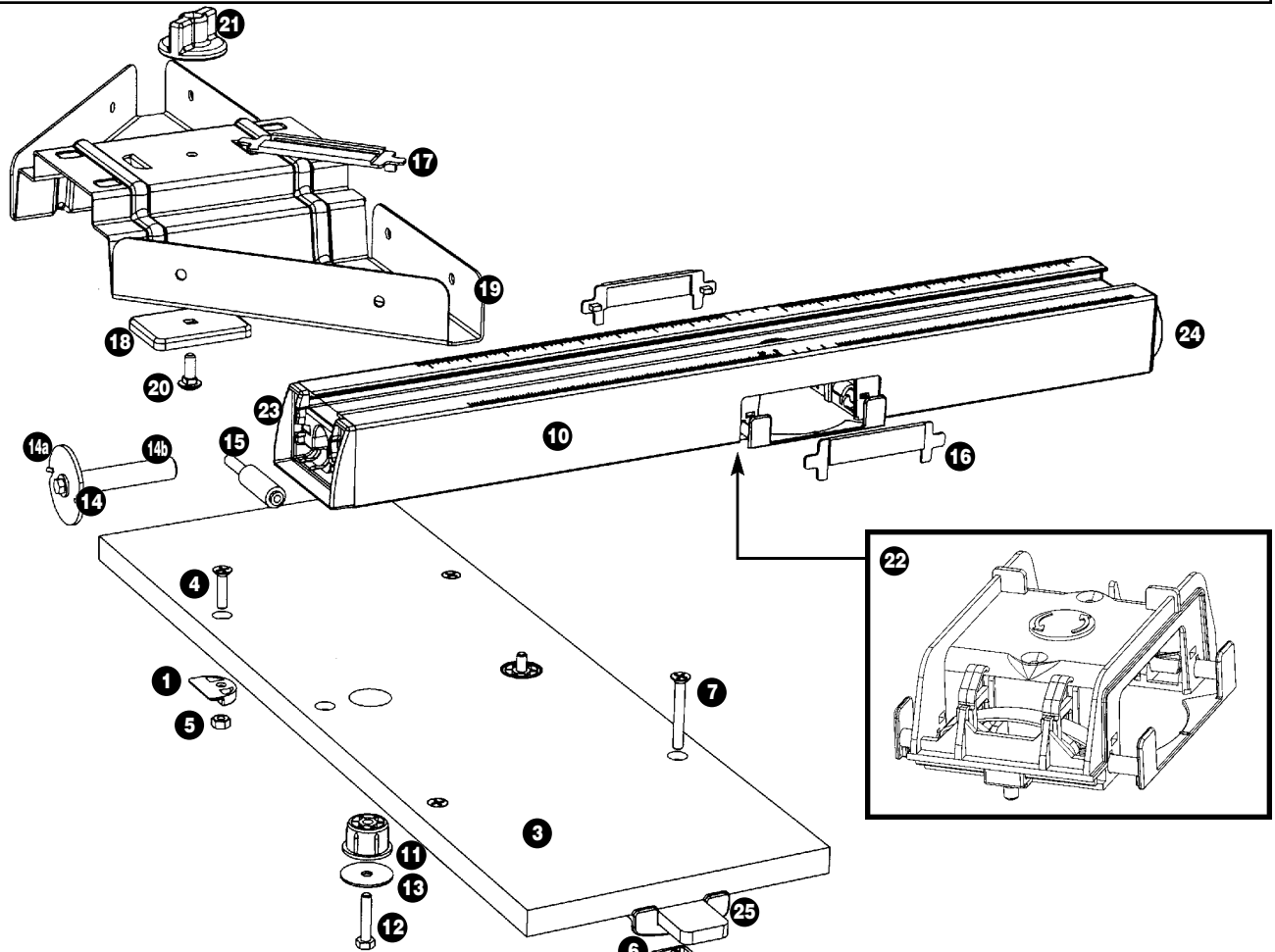


Biscuit Joiner - BJA300

Suits Router Table model RTA300 only



| Diag. Ref. | Part No. | Description | Qty Supplied as Spare Part | Comments |
|------------|----------|---|----------------------------|---------------------------------|
| - | PUA490 | Packing Carton | 1 | |
| - | PUA497 | Instruction Manual | 1 | |
| 3 | BJA314 | Sliding Insert Assembly (fitted with plungers) | 1 | |
| 3a | BJA317 | MDF Slider only | 1 | |
| 10 | BJA305 | Main Body | 1 | |
| 11 | BJA321 | Boss | 1 | |
| 14 | BJA038 | Cutter (complete with 1/2" & 1/4" shank) | 1 | |
| 14a | BJA053 | Cutting Disc only | 1 | |
| 14b | BJA055 | 1/2" Shank (12.7mm) | 1 | |
| 15 | BJA058 | 1/4" Shank (6.35mm) | 1 | |
| - | BJA045 | 4mm Straight Router Bit (1/2" only) | 1 | |
| 16 | BJA029 | Notched Window | 1 | |
| 17 | BJA022 | Slotted Window | 1 | |
| 18 | BJA016 | Sliding Guide Clamp | 1 | |
| 19 | BJA014 | Sliding Guide | 1 | |
| 21 | CMA040 | Round Knob with M6 Nut | 1 | |
| 22 | BJA306 | Guard Assembly | 1 | |
| 23 | BJA311 | End Cap / Nut Holder | 1 | |
| 24 | BJA312 | End Cap - Vacuum Connection | 1 | |
| | BJA313 | Nut Holder (inside main body - not shown) | 1 | |
| 25 | BJA323 | Return Plunger Assembly | 1 | |
| | RTA391 | Slider Tree (comprises parts 1,6 & 9) | 1 | |
| | BJA320 | Fastener Bag (comprises parts 4,5,7,8,12,13 & 20) | 1 | Not sold individually |
| | BJA050 | Biscuits (packet of 50) | 1 | Also available in 500 (BJA056). |

Specifications:

Packed weight: 4.3kg

Pack Size: 660 x 265 x 80mm

Volume: 0.014m³

Paint: Epoxy powder coat (oven cured)

Fence: Silver

Slide Guide : Charcoal Grey